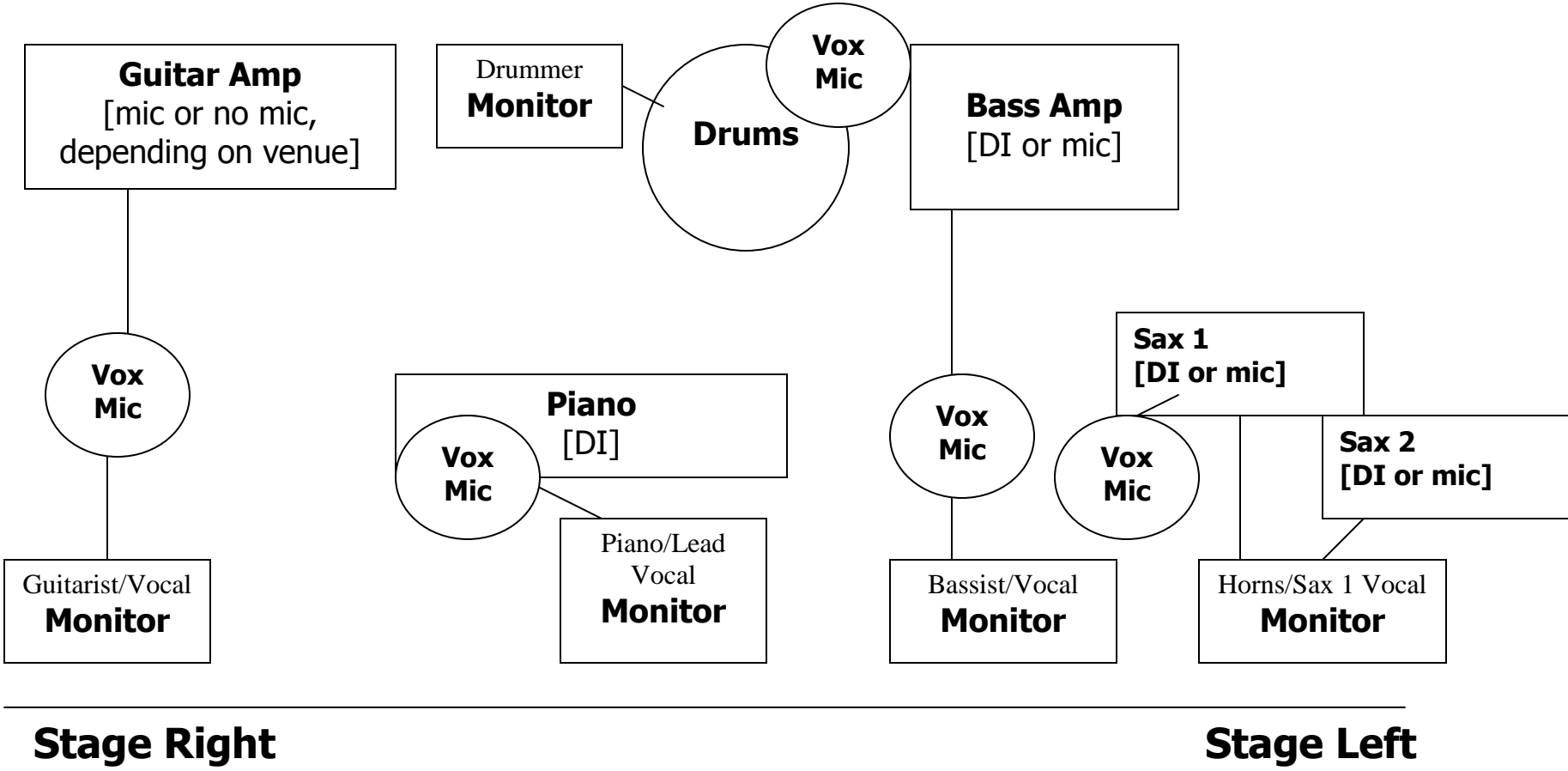


# Victor Wainwright and the WildRoots - Stage Plot 6 piece ensemble



Contact: Stephen Dees - [sldmusic@mindspring.com](mailto:sldmusic@mindspring.com) - 386.689-5380  
 Victor Wainwright - [vic91218@aol.com](mailto:vic91218@aol.com) - 901.598.8347

**THANK YOU!!**